

## ePool

### Peristaltic Pump with built in pH or Rx controller

The ePool series of peristaltic dosing pumps are perfect for the domestic swimming pools, SPA and wellness centers. These pumps operate on the suction-compression created by rotors on a Santoprene® tube.

#### General Features

- Proportional dosing mode
- Flow rate up to 3 l/h
- Pressure up to 3 bar
- Possibility to measure two different types of electrochemical variables: pH or Rx
- pH measurement range: from 3 to 11 pH
- RX measurement range: from +100 to +999 mV
- Power supply: 230V 50-60Hz
- Maximum power consumption: 15W
- Set point selection
- Type of intervention (direct or inverse)
- Hysteresis
- ON/OFF or proportional activation mode respect to the measure value
- Delay time of the pump activation
- Over dosing alarm, indicates an overdose situation
- Relay output for signalled alarm status
- Level switch input (included)
- Display: blue/white 16 digits
- Supplied with complete installation kit:
  - pH or Redox probe with 5 m cable
  - Saddle clamps
  - PP probe holder 1/2"
  - Level probe
  - Buffer solutions: pH 7 & 9 for pH version or 650 mV for Redox version
  - Injection valve (PVC/FPM)
  - Foot filter (PP/FPM)



pH KIT

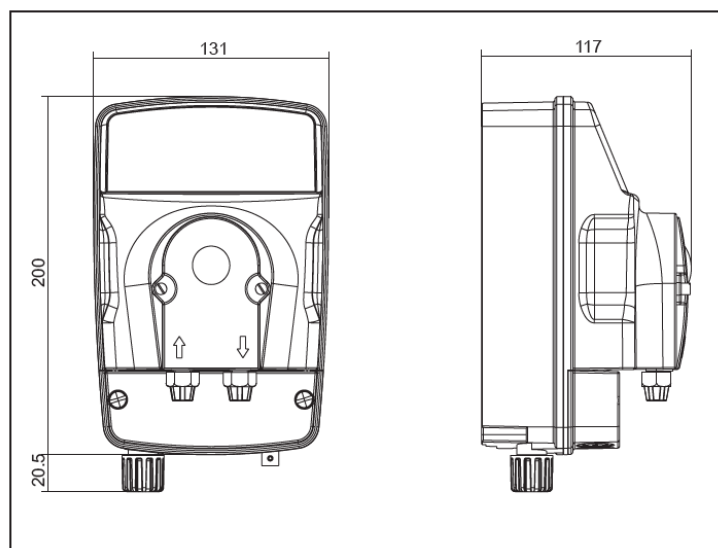


RX KIT

### Models

Version	Flow Rate l/h (US Gal/h)	Pressure bar (psi)
0101	1.5 (0.40)	1.5 (21)
0301	3 (0.79)	1.5 (21)
0202	2 (0.53)	2 (29)
0303	3 (0.79)	3 (43)

### Overall Dimensions



### Codes

ePool pH	Version
CXB4000301	0101
CXB4000401	0301
CXB4000501	0202
CXB4000601	0303

ePool Rx	Version
CXB4000302	0101
CXB4000402	0301
CXB4000502	0202
CXB4000602	0303

ePool No KIT	Version
CXB40003Z6	0101
CXB40004Z6	0301
CXB40005Z6	0202
CXB40006Z6	0303